



Measurement solutions for construction

Product catalogue

NIVEL 20
SYSTEM YEARS

NIVEL SYSTEM

Measurement solutions for construction

Nivel System is a Polish brand that stands for high quality of measuring instruments and accessories. Our business activity was set up in 2003 and ever since has been driven by the experience we gained through the development, manufacture, supply and service of equipment.

The inspiration for our development and manufacture using our own patents is derived mainly from the feedback from our customers. We do not hesitate to reach for innovative ideas and we successfully implement pioneering solutions, such as the blue laser beam or 4-plane crossline lasers with electronic compensation. Our instruments are fitted up with top-quality components from leading worldwide suppliers to make our products meet the latest trends and expectations.

Thanks to an extensive network of distributors throughout Europe, Nivel System products are recognized and

available in numerous hardware stores and specialist measurement equipment shops. Customers can test and choose from a wide range of equipment, up to their needs and possibilities.

We provide support through our regional dealers and have one of the most modern diagnostic platforms for construction lasers- Octopus Prime 3D. Nivel System instruments are checked and calibrated before sale as well as provided with a reliable and quick service while in operation.



Optical measurements

Optical levels	5
Electronic theodolites	6
Electronic level	7

Construction levels

Laser crossliners	10-15
Laser plummets	16
Rotating laser levels	17-21

Laser accessories

System for controlling construction machinery	23
Laser distance meters	24
Electronic levels	25
Tapes	26
Measuring wheels	27
Tripods, extension poles	28 – 30
Classic and laser staffs	31
Accessories	32 – 33

Service	34 – 35
----------------	---------

Optical measurements



N24x, N32x

Bright image, effective vibration reduction, 5-year guarantee

- top-quality optical system; clear and readable image, high accuracy, large magnification
- reliable and proven measurements in the field
- protected horizontal circle; greater durability for setting out angles
- robust metal structure, waterproof casing
- top-quality magnetic compensator damps even the slightest ground vibrations and thus ensures correct measurements, even in difficult conditions on construction sites
- equipment check before sale, certificate issued for each instrument



Precise measurements

Reliable and proven optical instruments providing precise measurements for construction works.



Solid construction

Our equipment is resistant to extreme weather conditions, which allows them to work even in the most demanding environment.



Dependable equipment

All levels and theodolites are checked before sales and – if required - calibrated. The whole procedure for given instrument is confirmed with an issued certificate. It guarantees the quality of the measurements made.



	N24x	N32x
Accuracy	2,0 mm / km	1,5 mm / km
Magnification	24x	32x
Telescope length	215 mm	
Lens diameter	36 mm	42 mm
Minimum focal length	0,3 m	
Waterproof rating	IPX6	
Operating temperature	-20°C~+50°C	
Dimensions	130 x 215 x 140 mm	
Weight of instrument	1,75 kg	

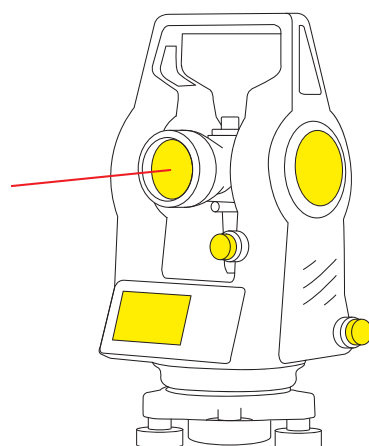
DT-2, DT-2L, DT-5

Bright image; tightly sealed metal casing; user friendly

- measurement results are displayed on the highlighted LCD screen
- precision of measurements - modern reading system allows the immediate use of the theodolite after removing it from the case
- the laser pointer on the DT-2L model enables measuring the angles and stakeout without using a telescope
- waterproof and dustproof
- single-axis compensator damps even the slightest ground vibrations, thus it ensures the correct measurements, even in extreme conditions on the construction sites



	DT-2	DT-2L	DT-5
Accuracy	2"		5"
Magnification		30x	
Laser beam	no	yes	no
Display unit	2 sides, back-lit		
Compensator	single axis, ±3'		
Plummet	laser		
Waterproof rating	IPX6		
Tribrach	detachable		
Operating temperature	-20°C~+50°C		
Dimensions	160 x 190 x 324 mm		
Weight of instrument	4,8 kg		



EL-32

Precise and fast measurements, durable and reliable equipment

- the highest precision of measurements
- automatic measurements and the classical method
- continuous measurement mode
- resistant to severe terrain conditions
- measurement memory



EL-32

Magnification	32x	
Electronic measurement	± 1,0 mm / km	
Visual measurement	± 1,5 mm / km	
Accuracy of distance measurement	D ≤ 10m	< ±10mm
	10m < D ≤ 50m	< ±0,1% D
	D > 50m	< ±0,2% D
Measuring range	2 – 100 m	
Measuring time	< 3 seconds	
Power supply	2200 mAh, about 20 hours	
Compensator	Type	magnetic
	Compensation range, accuracy	± 15', 0,3"/min
Data storage	Internal	1000 records
	Interface	micro-USB
Waterproof rating	IP55	
Operating temperature	-20°C~+50°C	
Dimensions	240 x 130 x 205 mm	
Weight of instrument	1,9 kg	

Construction levels



Which laser to choose?

The measurements themselves are important, but the results are of even greater significance.

The choice of the laser depends on the type of construction work it is required for

- select a brand-name product that has been proven while working in the field, and is offered by a reliable company that provides professional consulting and maintenance services as well
- lasers may be used at any place where optical instruments have been used thus far
- the greater the laser range, the higher accuracy is usually guaranteed at shorter distances
- only carefully selected accessories enable the usage of the laser equipment in its total range

Why choosing lasers with a blue beam?

The visibility of the blue beam is better fourfold than of the red one. Thus, you are able to work with longer distances and in bright and sunlit room where the red beam is poorly visible or not at all seen. Compared with the green beam, we gain greater comfort at work - the beam is clearer (does not tire the eye) and is slightly thinner (higher precision).



Faster, easier, more accurate

The Nivel System laser crossliners are designed for works in the horizontal, vertical and sloping planes.



Wide range of works

Laying terracotta tiles down is fast and accurate thanks to the laser lines that are set out at right angles on the floor. The Nivel System lasers guarantee that laying wall tiles, making complex interior walls and ceilings of wallboards, or fitting stucco made of plaster boards have never been simpler.



Without costly errors

High-precision Nivel System lasers used for setting and controlling the levelling during the indoor and outdoor works guarantee the best results of the performed work.

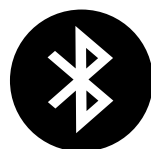
The most important advantages of the construction lasers:

- provide higher accuracy that is far ahead of the traditional methods
- speed up your work with user-friendly lasers that set the level or inclination in a continuous manner and thus constant controlling of the height is made easier and more efficient
- reduce the costs of materials: high precision of measurements cuts down on the amount of the consumed materials
- savings in the costs of work: all measurements may be conducted by just one person
- eliminate human errors arising from incorrect reading of the values during the traditional levelling and enable the identification of contractors errors during their works – therefore eliminate the need for costly corrections
- provide the possibility of making measurements in extreme conditions for any employee

Why are correct measurements so important?

Measurements are the most significant activities on a construction site. At the beginning, it is vital to estimate the amount of the required material and the cost of the work. Afterwards, they enable an accurate performance.

CL1R, CL1G, CL1B

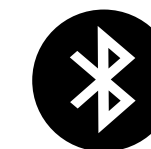


1 x 360° laser planes,
control of construction tasks
in 1D (1 x H)



- pulse function allows you to work outdoors and at a longer distance with the laser sensor
- bright laser beams and high quality optics generate lines that have good visibility
- innovative magnetic vibration compensation system enables a quick preparation for the work
- intuitive operation - quick and easy control panel
- the rubber parts of the equipment's housing protect it from damage due to the impacts and shocks
- Bluetooth - remote management using mobile devices

CL2R, CL2G, CL2B



2 x 360° laser planes,
control of construction tasks
in 2D (1 x V, 1 x H)

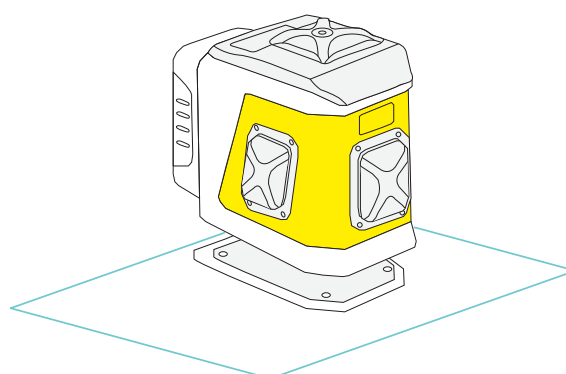


- pulse function allows you to work outdoors and at a longer distance with the laser sensor
- bright laser beams and high quality optics generate lines that have good visibility
- innovative magnetic vibration compensation system enables a quick preparation for the work
- intuitive operation - quick and easy control panel
- the rubber parts of the equipment's housing protect it from damage due to the impacts and shocks
- Bluetooth - remote management using mobile devices

	CL1R	CL1G	CL1B
Laser (visible)	red	green	blue
Accuracy	±2,0 mm /10 m		
Beam display	1 horizontal (360°)		
Operating range	30 m (70 m with a sensor)		
Self-levelling range	±3,0°		
Waterproof rating	IP54		
Power supply	Li-ion 3,7 V (4000 mAh)		
Operating temperature range	-10°C~+50°C		
Mount	1/4", 5/8"		
Dimensions	130 x 90 x 133 mm		
Weight of instrument	0,86 kg		

! **Compatible laser sensors:**
CLS-4, RD800 Digital

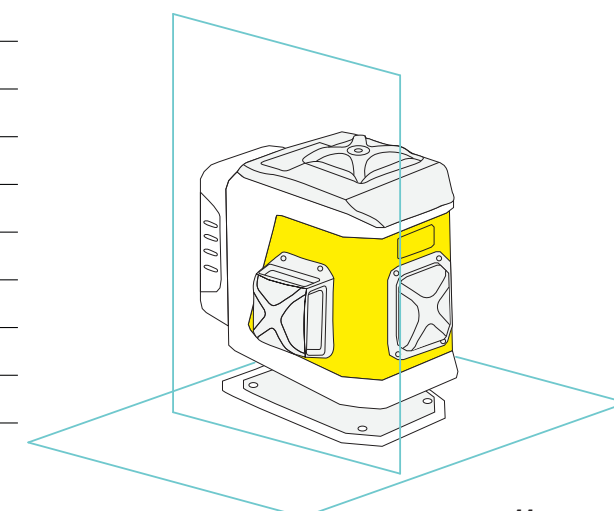
→ See page 32



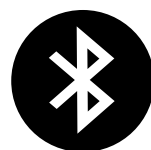
	CL2R	CL2G	CL2B
Laser (visible)	red	green	blue
Accuracy	±2,0 mm /10 m		
Beam display	1 vertical (360°), 1 horizontal (360°)		
Operating range	30 m (70 m with a sensor)		
Self-levelling range	±3,0°		
Waterproof rating	IP54		
Power supply	Li-ion 3,7 V (4000 mAh)		
Operating temperature range	-10°C~+50°C		
Mount	1/4", 5/8"		
Dimensions	130 x 90 x 133 mm		
Weight of instrument	0,86 kg		

! **Compatible laser sensors:**
CLS-4, RD800 Digital

→ See page 32



CL3R, CL3G, CL3B



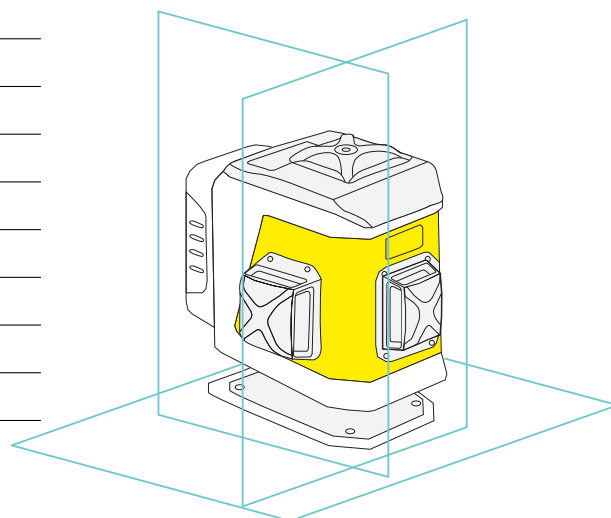
3 x 360° laser planes,
control of construction tasks
in 3D (2 x V, 1 x H)



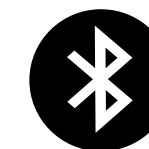
- pulse function allows you to work outdoors and at a longer distance with the laser sensor
- bright laser beams and high quality optics generate lines that have good visibility
- innovative magnetic vibration compensation system enables a quick preparation for the work
- intuitive operation - quick and easy control panel
- the rubber parts of the equipment's housing protect it from damage due to the impacts and shocks
- Bluetooth - remote management using mobile devices

	CL3R	CL3G	CL3B
Laser (visible)	red	green	blue
Accuracy	±2,0 mm /10 m		
Beam display	2 vertical (360°), 1 horizontal (360°)		
Operating range	30 m (70 m with a sensor)		
Self-levelling range	±3,0°		
Waterproof rating	IP54		
Power supply	Li-ion 3,7 V (4000 mAh)		
Operating temperature range	-10°C~+50°C		
Mount	1/4", 5/8"		
Dimensions	148 x 90 x 133 mm		
Weight of instrument	0,89 kg		

! **Compatible laser sensors:**
CLS-4, RD800 Digital
→ See page 32



CL4R, CL4G, CL4B



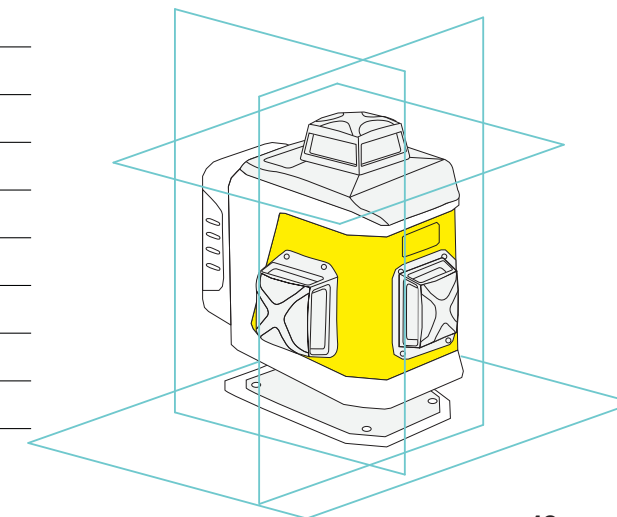
4 x 360° laser planes,
control of construction tasks
in 4D (2 x V, 2 x H)



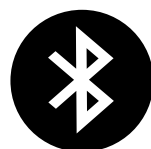
- pulse function allows you to work outdoors and at a longer distance with the laser sensor
- clear blue laser beams and high-quality optics generate lines that have good visibility
- innovative magnetic vibration compensation system enables the most stable field work
- intuitive operation - quick and easy control panel
- the rubber parts of the equipment's housing protect it from damage due to the impacts and shocks
- Bluetooth - remote management using mobile devices

	CL4R	CL4G	CL4B
Laser (visible)	red	green	blue
Accuracy	±2,0 mm /10 m		
Beam display	2 vertical (360°), 2 horizontal (360°)		
Operating range	30 m (70 m with a sensor)		
Self-levelling range	±3,0°		
Waterproof rating	IP54		
Power supply	Li-ion 3,7 V (4000 mAh)		
Operating temperature range	-10°C~+50°C		
Mount	1/4", 5/8"		
Dimensions	148 x 90 x 151 mm		
Weight of instrument	0,92 kg		

! **Compatible laser sensors:**
CLS-4, RD800 Digital
→ See page 32



CL4D-R, CL4D-G, CL4D-B



4 x 360° laser planes,
control of construction tasks
in 4D (2 x V, 2 x H)

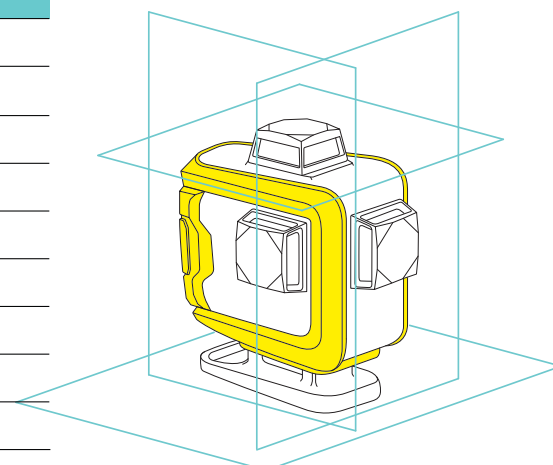
- pulse function allows you to work outdoors and at a longer distance with the laser sensor
- clear blue laser beams and high-quality optics generate lines that have good visibility
- a modern electronic vibration compensation system enables the most stable field work
- intuitive operation - quick and easy control panel
- the rubber parts of the equipment's housing protect it from damage due to the impacts and shocks
- Bluetooth - remote management using mobile devices



	CL4D-R	CL4D-G	CL4D-B
Laser (visible)	red	green	blue
Accuracy	±1,0 mm/10 m		
Beam display	2 vertical (360°), 2 horizontal (360°)		
Operating range	30 m (70 m with a sensor)		
Self-levelling range	±4°		
Waterproof rating	IP54		
Power supply	Li-ion 7,4 V (2600 mAh)		
Operating temperature range	-10°C~+50°C		
Mount	1/4"		
Dimensions	125 x 75 x 170 mm		

! Compatible laser sensors:
CLS-4, RD800 Digital

→ See page 32



PLV-1A, PLV-1B

High-accuracy plummets
for any construction works

- high definition, large field of view - high-quality optical system, laser brightness adjustable to working conditions
- innovative laser technology - precise alignment of plumb points, bright and clear laser beam
- shock resistant
- easy to operate - potentiometer knobs are convenient to use when managing the functions of the device.
- infinity focus adjusting knob
- tight and rugged casing - can be used in the toughest conditions - the equipment is water- and dustproof (IP55)



	PLV-1A	PLV-1B
Laser beam	red	
Spot size	≥3 mm/80 m	
Zasięg lasera	120 m - daylight (250 m - night)	
Accuracy	Lower beam	±1 mm / 2 m
	Upper beam	±1 mm / 45 m
Magnification	26x	
Angle of view	1°30'	
Diameter	36 mm	
Shortest viewing distance	0,4 m	
Detachable tribrach	yes	no
Operating temperature range	-10°C~+50°C	
Power supply	4,5 V (3 x AA)	
Mount	5/8"	
Waterproof rating	IP55	
Dimensions	120 x 290 mm	
Weight of instrument	2,8 kg	

DESIGNED IN
EUROPE



**THE MOST VALUABLE EXPERIENCE
THINKING OUTSIDE THE BOX**

NIVEL 20
SYSTEM YEARS

Rotating laser levels

NL500R, NL500G

Easy and quick to use and very efficient,
excellent price-quality ratio

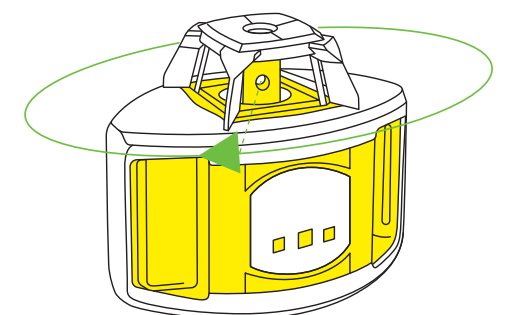
- horizontal works
- performance of works with visible beam
- high accuracy ($\pm 1,0$ mm/10 m)
- range (diameter of operation): 500 m
- resistant to difficult working conditions (IP54)
- safe operation for years (maintenance and support services)



! Compatible laser sensors:
RD200, RD700 Digital

→ See page 32

	NL500R	NL500G
Laser (widzialny)	red	green
Accuracy	$\pm 1,0$ mm/10 m	
Operating range (diameter)	500 m (with sensor)	
Power supply	Li-ion 7,4 V (4000 mAh)	
Waterproof rating	IP54	
Operating temperature range	$-20^{\circ}\text{C} \sim +50^{\circ}\text{C}$	
Dimensions	206 x 206 x 211 mm	
Weight of instrument	3,0 kg	



NL520R, NL520G

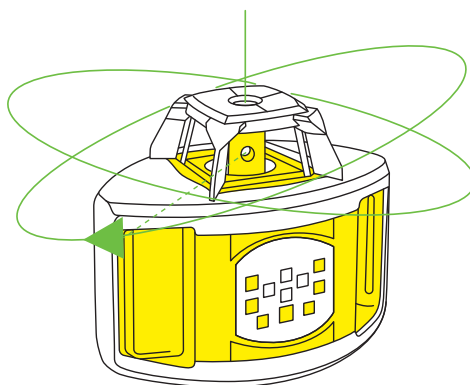
Universal and multi-purpose levels, versatile solution for many building and construction works, applications with a manual slope

- horizontal and vertical works
- works with manual slope in one or two directions
- performance of works with visible beam
- scan function
- high accuracy ($\pm 1,0$ mm/10 m)
- long range (diameter of operation): 500 m
- resistant to difficult working conditions (IP54)
- safe operation for years (maintenance and support services)



	NL520R	NL520G
Laser (visible)	red	green
Accuracy	$\pm 1,0$ mm/10 m	
Operating range (diameter)	500 m	
Slopes	$\pm 10\%$ (X-axis, Y-axis) manually	
Head rotation speed	variable, max. 600 rpm	
Power supply	Li-ion 7,4 V (4000 mAh)	
Waterproof rating	IP54	
Operating temperature range	$-20^{\circ}\text{C} \sim +50^{\circ}\text{C}$	
Dimensions	206 x 206 x 211 mm	
Weight of instrument	3,0 kg	

! Compatible laser sensors:
RD200, RD200G, RD700 Digital
→ See page 32



NL540R, NL540G

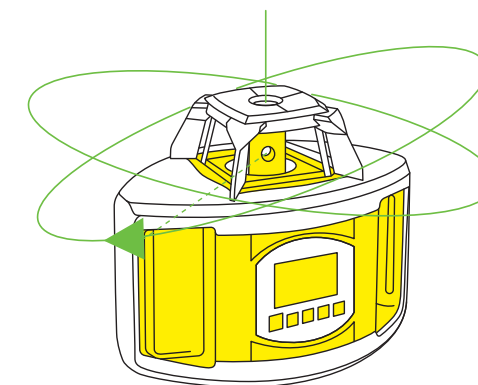
Universal and multi-purpose levels, versatile solution for many building and construction works, applications with a digital slope

- horizontal and vertical works
- works with digital slope in one or two directions
- performance of works with visible beam
- scan function
- high accuracy ($\pm 1,0$ mm/10 m)
- long range (diameter of operation): 500 m
- resistant to difficult working conditions (IP54)
- safe operation for years (maintenance and support services)



	NL540R	NL540G
Laser (visible)	red	green
Accuracy	$\pm 1,0$ mm/10 m	
Operating range (diameter)	500 m	
Slopes	$\pm 10\%$ (X-axis, Y-axis) digitally	
Head rotation speed	variable, max. 600 rpm	
Power supply	Li-ion 7,4 V (4000 mAh)	
Waterproof rating	IP54	
Operating temperature range	$-20^{\circ}\text{C} \sim +50^{\circ}\text{C}$	
Dimensions	206 x 206 x 211 mm	
Weight of instrument	3,0 kg	

! Compatible laser sensors:
RD200, RD700 Digital
→ See page 32



NL720R, NL720G

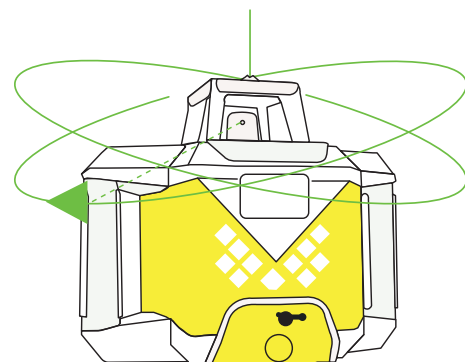
Multi-purpose, accurate, long-range levels, works with a manual slope

- horizontal and vertical works
- for performance of works in horizontal and vertical planes or works with a manual slope in one or two directions
- performance of works with visible - red beam (NL720R), green beam (NL720G)
- DIGITAL SENSOR – digital results for height differences
- high accuracy ($\pm 0,72$ mm / 10 m)
- long range (diameter of operation): 700 m
- automatic alignment of the laser line to the sensor
- remote control (radio)
- resistant to difficult working conditions (IP56)
- safe operation for years (maintenance and support services)



	NL720R	NL720G
Laser (visible)	red	green
Accuracy	$\pm 0,72$ mm / 10 m	
Operating range (diameter)	700 m	
Slopes	$\pm 10\%$ (X-axis, Y-axis) manually	
Head rotation speed	variable, max. 800 rpm	
Power supply	Li-ion 7,4 V (4000 mAh)	
Waterproof rating	IP65	
Operating temperature range	$-20^{\circ}\text{C} \sim +50^{\circ}\text{C}$	
Dimensions	274 x 173 x 232 mm	
Weight of instrument	2,83 kg	

! **Compatible laser sensors:**
RD500 Digital
→ See page 32



NL740R, NL740G

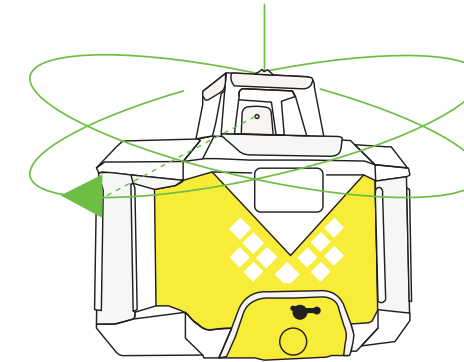
Multi-purpose, accurate, long-range levels, works with a digital slope

- horizontal and vertical works
- for performance of works in horizontal and vertical planes or works with a digital slope in one or two directions
- performance of works with visible - red beam (NL740R), green beam (NL740G)
- DIGITAL SENSOR – digital results for height differences
- high accuracy ($\pm 0,72$ mm / 10 m)
- long range (diameter of operation): 700 m
- automatic alignment of the laser line to the sensor
- remote control (radio)
- resistant to difficult working conditions (IP56)
- safe operation for years (maintenance and support services)



	NL740R	NL740G
Laser (visible)	red	green
Accuracy	$\pm 0,72$ mm / 10 m	
Operating range (diameter)	700 m	
Slopes	$\pm 10\%$ (X-axis, Y-axis) digitally	
Head rotation speed	variable, max. 800 rpm	
Power supply	Li-ion 7,4 V (4000 mAh)	
Waterproof rating	IP65	
Operating temperature range	$-20^{\circ}\text{C} \sim +50^{\circ}\text{C}$	
Dimensions	274 x 173 x 232 mm	
Weight of instrument	2,85 kg	

! **Compatible laser sensors:**
RD500 Digital
→ See page 32



Laser accessories

MC-1D

Leveling system allows controlling the height of the machine's working element from the operator's cabin



- versatile solution for many types of machinery (dozers, excavators, wheel-loaders)
- faster work, higher productivity - the machine can do more at the same time
- increased work accuracy
- savings on material resulting from the more accurate surface leveling
- the easiest solution to control the operation of machinery – user friendly operation



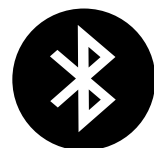
MC-1D MAGNETS

MC-1D CLAMPS

Operating modes accuracy	accurate ($\pm 10\text{mm}$), coarse ($\pm 20\text{mm}$)	
Receiving range	25 cm, 360°	
Type of received beam	laser (red)	
Fixing system	magnet mounts	clamps
Power supply	7,2V Ni-MH (2500 mAh)	
Working time	40 hours	
Charging time	15 hours	
Operating temperatures	-20°C~+50°C	
Protection class	IP 54	
Dimensions	280 x 280 x 130 mm	
Weight	5,5 kg	



HDM Series



Practical functionality, perfect for inventory taking, measurements for interior designs, construction and finishing works

- addition, subtraction, surface area, volume, minimum and maximum value
- Painter's function enabling calculation the area of selected walls
- measurements from the rangefinder front, base and room corner
- automatic laser / device shutdown
- continuous measurement, calibration function, time lag measurement
- Pythagoras function allows you to implement indirect height or width measurement
- camera in the HDM-120BC model



Model HDM-5G Model HDM-50G Model HDM-120BC

HDM	-5G	-7G	-9G	-50G	-70G	-90G	-120BC
Laser	green			red			
Range	50 m	70 m	90 m	50 m	70 m	90 m	120 m
Accuracy	±2 mm						
Camera function	no			yes			
Angle of tilt	no		±90°				
Level bubble	yes		yes, electronic				
Record	100						
USB connector	no		yes				
Bluetooth	no		yes				
Operating temperature range	0~+40°C						
Waterproof rating	IP54						
Power supply	2 x 1.5 V (AAA)			Ni-MH, 3 x 1,2 V 800 mAh			
Dimensions	118 x 54 x 28 mm		125 x 54 x 27 mm		130 x 56 x 29 mm		
Weight	132 g						

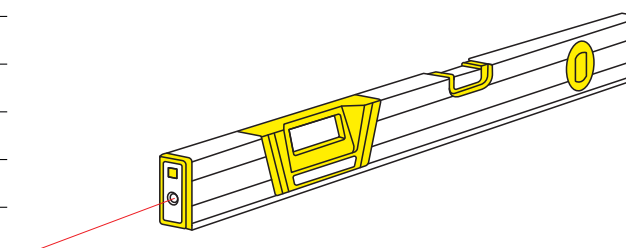
DL60, DL60L

Readable LCD display; operation in the inverted position, easy calibration while working in the field

- precise and fast-to-use electronic levels with digital readout of position on LCD display unit
- can be also operated in the inverted position (upside down)
- the values can be "frozen" on the display (a beep indicates the level)
- DL60L model equipped with a laser beam



	DL60	DL60L
Accuracy	±0,1°	
Length	600 mm	
Laser beam	no	yes
Modes of operation	degrees/percent	
Dimensions	600 x 51 x 25 mm	
Weight	0,47 kg	



ST-10, ST-20

Quick to use, resistant and accurate

- designed for any construction and surveying works
- coated, resistant to abrasion and rust
- measurements with class II accuracy
- durable, rugged, convenient-to-use construction



ST-30A / -30B ST-50A / -50B

- designed for any construction and surveying works
- coated, resistant to abrasion and rust
- measurements with class II accuracy
- durable, rugged, convenient-to-use construction
- available with tape leader of 10 cm (ST-30A, ST-50A)



	ST-10	ST-20	ST-30A / -30B	ST-50A / -50B
Length	10 m	20 m	30 m	50 m
Width		0,013 m		

M10, M100, M100 Digital

Durable, quick in use, indispensable for roadworks

- stable kickstand (excluding M10 model)
- rugged structure made of aluminium and plastic
- convenient-to-use brake
- folded aluminium rod with a handle design that fits precisely any hand
- accurate and legible counter placed above the wheel / large and clear digits /M100 Digital - on the LCD
- easy resetting with just one move of the lever
- subtraction when in reverse motion
- measures distances up to 99,999.9 m
- durable storage bag (protects the device during transport)



M10 model

M100 model



M100 Digital model



SJJ1, SJJ1D, SJJ4, SWW8

Tripod is the one of the most popular from the measuring accessories, required to carry out 90% of measuring tasks

SJJ1 model



SJJ4 model



SWW8 model



	SJJ1	SJJ1D	SJJ4	SWW8
Material	aluminium	aluminium	aluminium	wood
Min./Max. height	0,97 / 1,6 m	0,97 / 1,6 m	1,1 / 1,88 m	1,16 / 1,79 m
Type of lock	clamps	clamps	screws / clamps	clamps
Type of head	flat	spherical	flat	flat
Weight	3,0 kg	3,0 kg	5,6 kg	8,2 kg

SJJ-M1, SJJ32, SJJ40

Choosing the right tripod model for the type of the planned task is a half of the success

SJJ-M1 Ex model



SJJ32 model



SJJ40 model



	SJJ-M1 Ex	SJJ32	SJJ40
Material	aluminium	aluminium	aluminium
Min./Max. height	0,62 / 1,82 m	1,30 / 3,2 m	1,79 / 3,5 m
Type of lock	clamps	clamps	screws / clamps
Type of head	1/4" screw (+5/8")	flat	flat
Weight	1,6 kg	7,2 kg	8,8 kg

LP-36, LP-36 EX

Rugged and resistant extension poles designed for all types of lasers

- solid, aluminum construction
- stable laser assembly in all conditions
- extension pole 3,6 m
- 5 sections simplify height adjustment in any room
- metric scale - easy adjustment to the project
- requirements during measurements
- quick release handle for placing pole on the pole
- easy to transport - folded into a bag
- additional tripod (model LP-36 Ex)



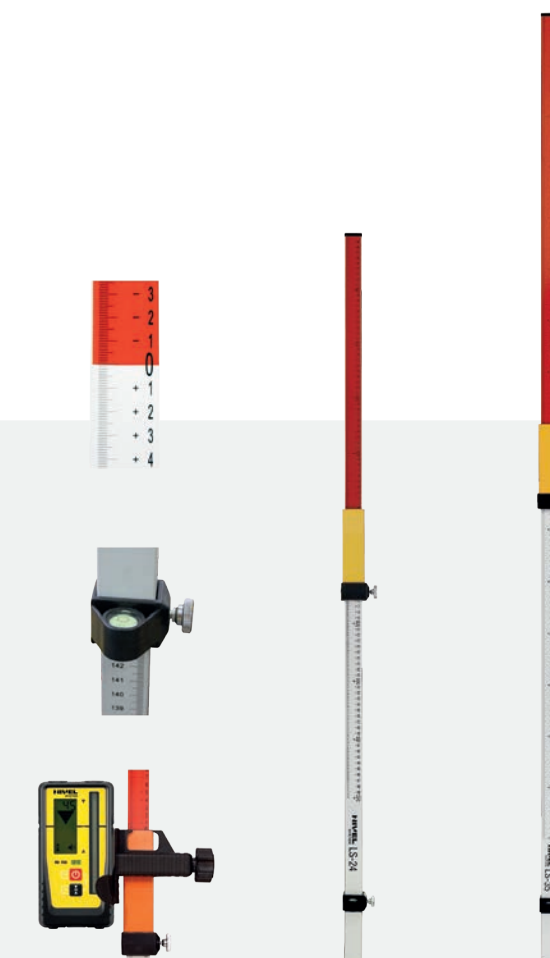
LP-36 model

LP-36 Ex model

LS-24, LS-35

High product quality, durability and trouble-free operation

- 2,4 m (LS-24) or 3,5 m (LS-35)
- practical laser sensor holder
- staffs with bull's eye level and metal clamp
- precise graduation (millimetres)
- sold with protective cover



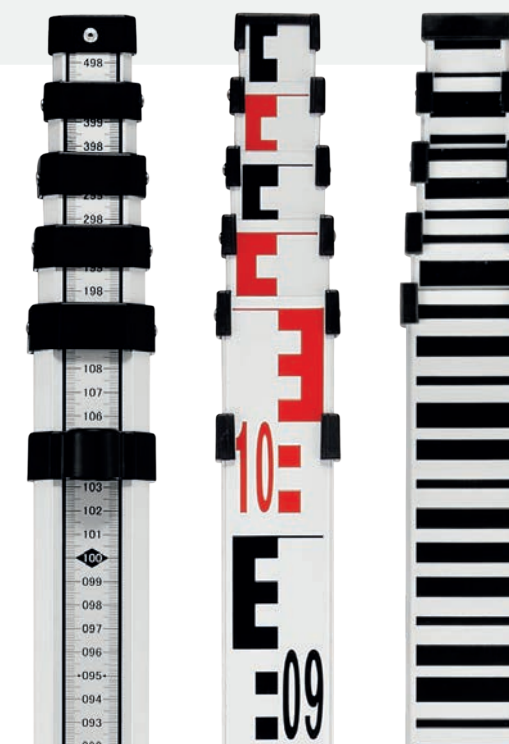
LS-24

-35

TS-5, TS-50, TS-70

Handy, durable, precise

- 5,0 m (TS-50) or 7,0 m (TS-70)
- perfect for optical levels
- E-type staff for easy and accurate reading of measurement value
- sold with protective cover and bull's eye level
- TS-5 – telescopic staff with printed code
- for the EL-32 electronic level



TS-50/70

TS-5

RD200, RD700, RD500

RD sensors are designed for rotating laser levels

- RD100, RD200 for red beam and RD100G, RD200G for green beam
- RD700 Digital – sensor with numeric elevation (digital) for red/green lasers
- RD500 Digital - digital sensor with auto-adjustment for rotating lasers NL720 / 740 series enabling the indication of height differences in a numerical way



RD200 model

RD700 Digital model

RD500 Digital model

CLS-1, CLS-4, RD-800

CLS sensors are designed for crossline lasers

- high work accuracy
- for lasers with optional pulse mode
- CLS-1 for red laser, CLS-1G for green laser, CLS-3 for red/green lasers
- CLS-4 designed for laser crossliners CL2 / 3 / 4 / 4D series
- RD800 Digital - digital sensor for rotating levels and crossliners to indicate differences in height in a numerical way



CLS-1 model

CLS-4 model

RD800 Digital model



Multi-adapters for construction lasers **CL-BR, CL-BR2**

- used to suspend construction lasers or mount them on a tripod
- CL-BR2 allows convenient movement of the laser (up / down) and rotation

Tripod adapter **GA-XZPT**

- used to mount a laser level on a tripod at any angle from 0° to 90°



Laser glasses **GL-R, GL-G**

- perfect for work with construction laser
- GL-R - for red beam lasers, GL-G - for green beam lasers



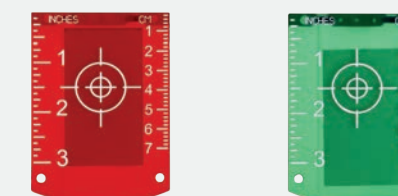
Laser sensor holder **NL-BR, NL-BR600**

- holder dedicated to laser sensors
- NL-BR for RD100, RD200 and NL-BR600 for RD700, RD800



Shelf for laser levels **YR**

- used to hang a level on the wall at a set height
- accurate height setting, robust structure



Laser targets **TR-R, TR-G**

- targets designed for work with laser beam (red TR-R, green TR-G)
- useful magnetic mounting system

Chargers for lasers

- series of chargers for Nivel System lasers

Adapters

- series of adapters and tripod adapters for laser crossliners
- available versions: 1/4" – 5/8", 5/8" – 5/8", 5/8" – 1/4"

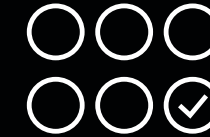
Authorised Service

We enrich service studios with modern tools and workshop equipment. Thanks to this, we provide comprehensive and professional service at a global level.



Warranty repairs

We provide warranty and post-warranty repairs for our measuring instruments and we continuously try to improve our technical facilities.



One-day inspections

We recommend one-day inspections for your convenience and your time. Given our potential, we are able to perform any required service and maintenance tasks during a working day.



Free-of charge calibration

We also offer the verification and calibration service which can be performed by yourself with the use of collimators located at our regional points of sales.

Only here! Advanced 3D collimator – Octopus Prime

Caring for the highest quality of the offered equipment, we are constantly developing our knowledge, expanding our storage facilities and most importantly, we invest in the diagnostic equipment park.

We currently have the most specialized equipment that meets the high standards that the largest manufacturers of measuring equipment have in the world.

The set of 38 cameras of the Octopus Prime collimator guarantees accurate checking and calibration of the instruments. Thanks to this, we gain 100% certainty that the measuring equipment works correctly and the assumed accuracy in a practical way will translate into the effects of the work performed.

Warranty and post-warranty repairs:

→ e-mail: service@nivelsystem.com

→ tel. +48 22 632 91 40

Your local distributor:



nivelsystem.com

